

1311-S Dental Sink

I.D.: 12 3/8" x 10 3/8" (314mm x 264mm)
Depth: 5 1/4"* (133mm)
*Depth does not include counter top thickness



The Gemstone 1311-S Single Bowl Dental Sink provides a seamless application in any solid surface sheet material, acrylic, polyester or blended. The seamless laboratory sink is important in medical/dental

clinics where infection control is important, while providing an upscale look at an affordable price. The Gemstone 1311 will perform exceptionally well and has excellent chemical resistant properties. This sink has a 2" diameter drain designed for 2" basket strainer. The 1311-S also makes a good bar sink.

Gemstone Sinks are compatible and warranted when used with all major solid surface sheet brands with the same sheet warranties.



Gemstone supports conservation and green building practices. Gemstone Packages all products in 100% recyclable packaging using boxes made primarily of recycled paper.



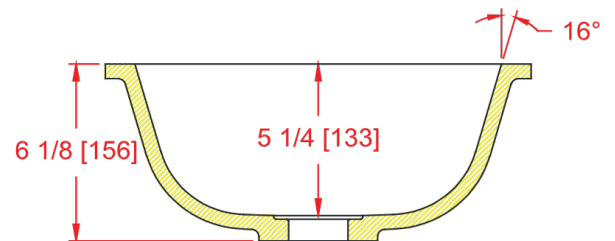
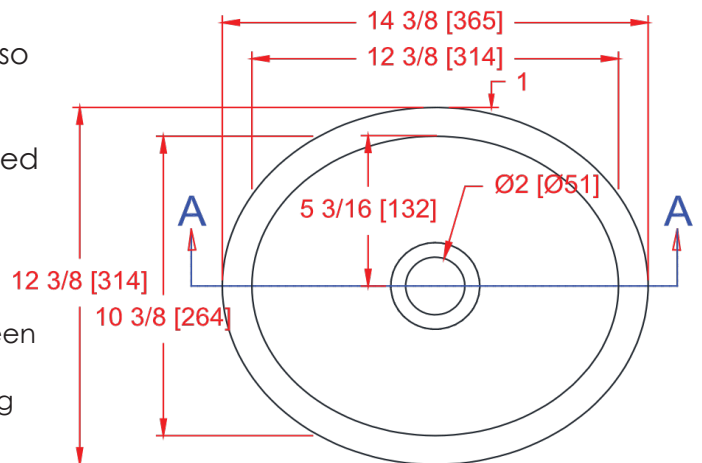
Gemstone sinks are proudly made in the USA and certified by:

Home Innovation Lab (NAHB): HUD UM Bulletin No. 73a & (B45.5/IAPMO Z124 Z124.6)

UL in the US and Canada: HUD UM Bulletin No. 73a & (B45.5/IAPMO Z124 Z124.6)



For router bit recommendations visit:
www.Gemstoness.com/Tech



Section A-A